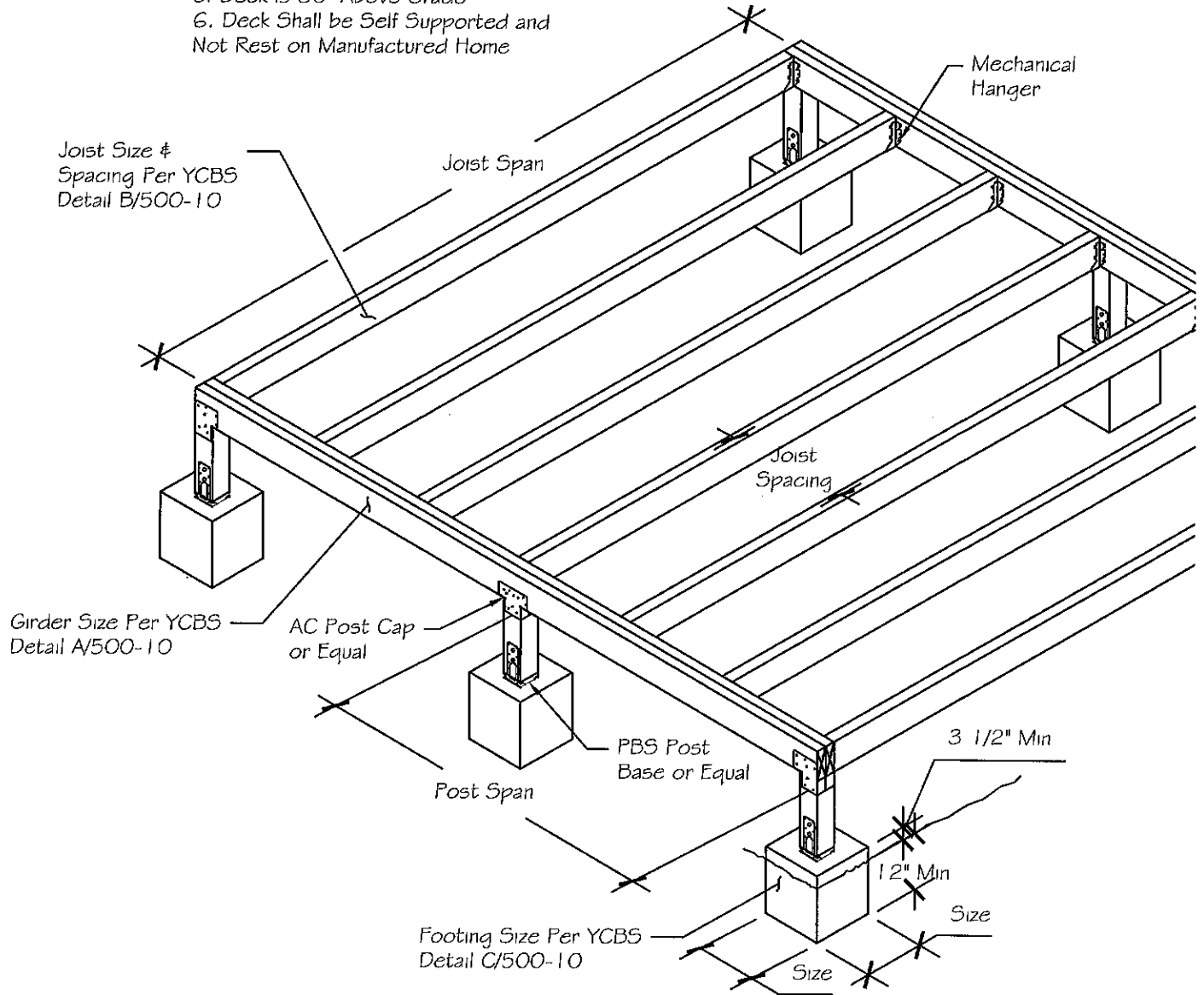


1. Joist Closer than 18" to Soil or Girders Less Than 12" Shall be Pressure Treated or Decay Resistant Wood
2. Concrete Footings Shall be 12" into Undisturbed Soil
3. 36" High Handrail is Required if Top of Deck is 30" Above Grade
6. Deck Shall be Self Supported and Not Rest on Manufactured Home



Wood Deck

Deck Framing Detail

Building Safety

Yuma County Department of Development Services

Date Approved *1/14/16*

Building Official *[Signature]*

Updated 08/2015

YCBS Det No. 500-12